

PRODUCT DATA SHEET

BIANCO - FC150M • 802806

PRODUCT DETAILS

The BIANCO FC150M is a robust cast iron, single stage, horizontal end suction centrifugal pump. Manufactured using high quality materials and components BIANCO FC Series are quiet and reliable offering 'best in class' high performance operation.



APPLICATIONS

- Ideal for use in agriculture, horticulture or other industrial services
- Wash-down, tank filling, HVAC, circulation, fire suppression, pressure boosting.

FEATURES

- 240V single phase TEFC motor with in-built auto reset thermal overload to prevent pump from damage
- 2m H07 power cable with IEC type I Au/NZ 15 amp 3 pin plug
- Excellent motor and hydraulic efficiency
- Electrochemical **cataphoresis** treatment applied to the pump body for enhanced corrosion resistance

To protect the pump from excessive cycling and to isolate from the effects of water hammer, adding a pressure tank to the system is highly recommended

BRAND

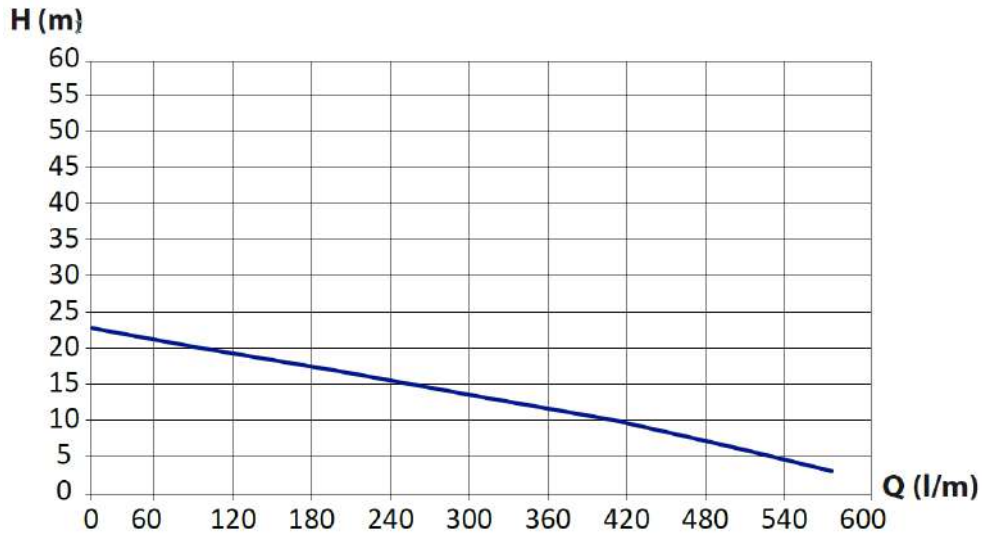
BIANCO
PUMPZ

TECHNICAL DATA

RATED POWER (P2)	1.5kW (2.0hp)
MAX. FLOW [LPM]	559 LPM
MAX. HEAD [M]	22.5m
MAX. PRESSURE RATING	8 bar
FLUID TEMP RANGE	4 - 60 deg C
MAX. AMBIENT TEMP	40 deg C
MOTOR RATING	Continuous
MOTOR INSULATION	Class F
PUMP BODY	Cast Iron HT200
MOTOR SHAFT AND IMPELLER	304 grade stainless steel
MECHANICAL SEAL	Carbon / Ceramic
O RINGS	Nitrile

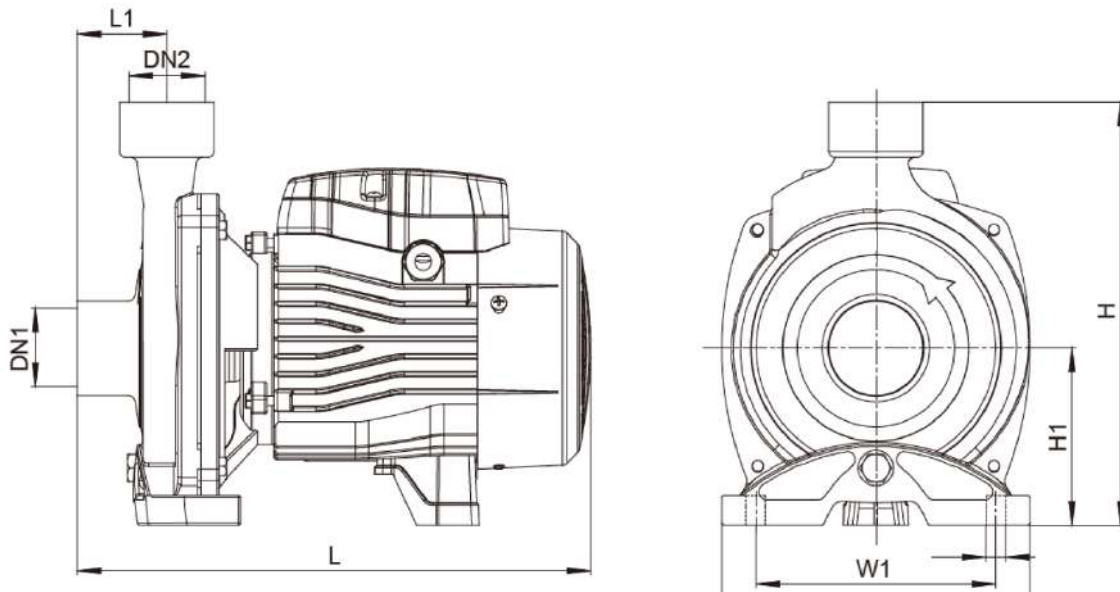
RATED VOLTAGE (V)	1 ph 220 (-6%) to 240V (+6%) 50 hz
RATED CURRENT (A)	10A
RATED SPEED (RPM)	2800 - 2 pole
MOTOR TYPE	Asynchronous, TEFC
IP RATING	I.P. 44
SUCTION CONNECTION	1 1/4" BSPF
DISCHARGE CONNECTION	1" BSPF
AUTOMATIC OPERATION	No - bare pump only
MOTOR PROTECTION	Auto re-setting thermal overload
CAPACITOR	40uF 450V +/- 5%
CARTON DIMENSIONS	415mm L x 225mm W x 285mm H
GROSS WEIGHT (KG)	20.7kg

CURVE



BIA-FC150M / T

DIMENSIONS



MODEL	L	W	H	L1	W1	H1	Bolt Hole Ø	DN1	DN2
BIA - FC150M	360mm	240mm	286mm	51mm	207mm	115mm	10mm	1 1/4" BSPF In	1" BSPF Out

WARRANTY / CERTIFICATIONS

